

D

C

B

A

4

4

LED position

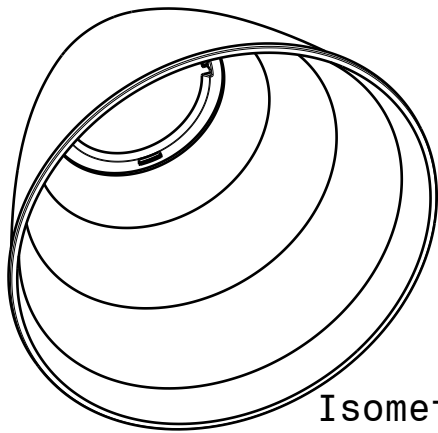
Ø 119.5

Ø 39

Bottom view
Scale: 1:2

3

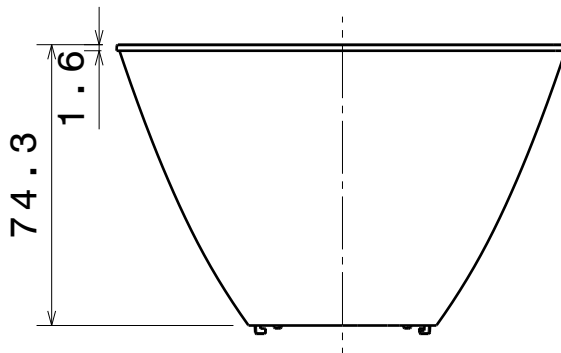
3



Isometric view
Scale: 1:2

2

2



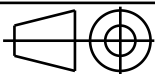
Front view
Scale: 1:2

Tolerances if not otherwise shown
According to DIN ISO 2768-1
Linear measures:
Up to 30mm class M, otherwise class C.
According to DIN ISO 2768-2
Form and position: class L



Ledil Oy
Salorankatu 10
FIN 24240 SALO
Finland

THIRD ANGLE PROJECTION:



DRAWING TITLE

Angela-B

This drawing is the property
of LEDiL Oy. It may not be
reproduced, copied or
communicated without a written
agreement with LEDiL Oy."

SIZE PART NUMBER

A4

-

SCALE 1:2 WEIGHT

-

SHEET 1/1

D

A

1

1